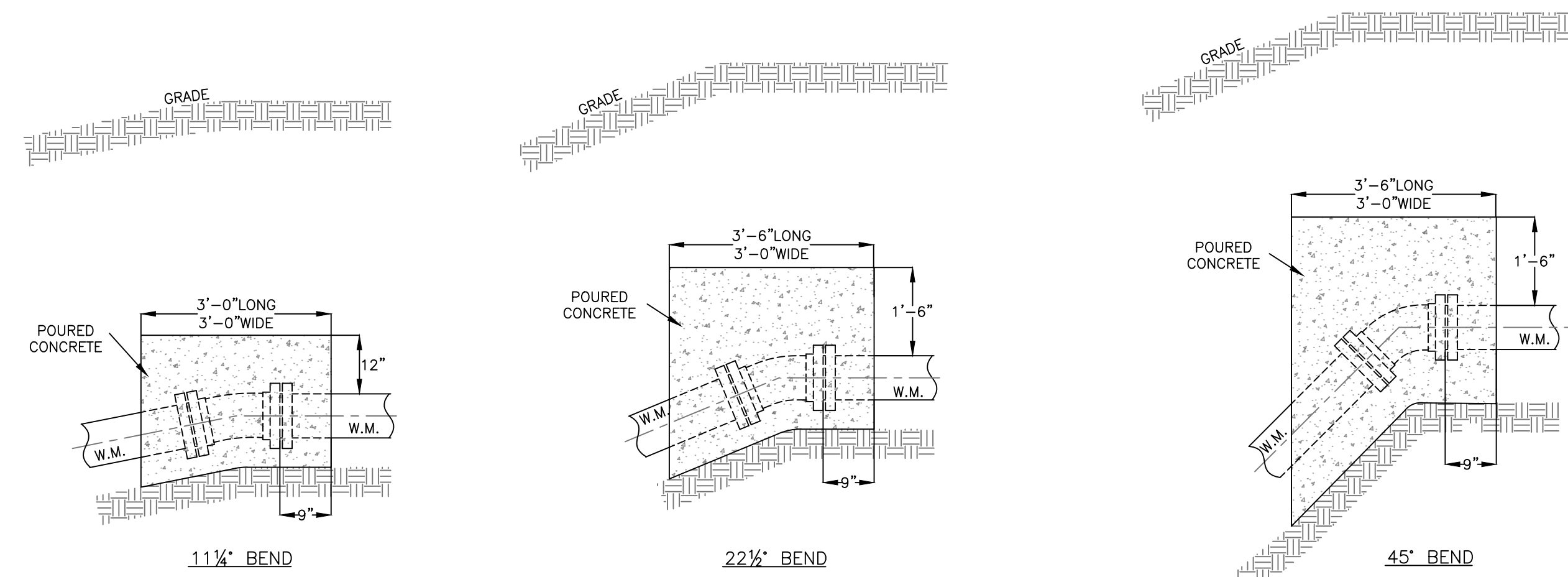
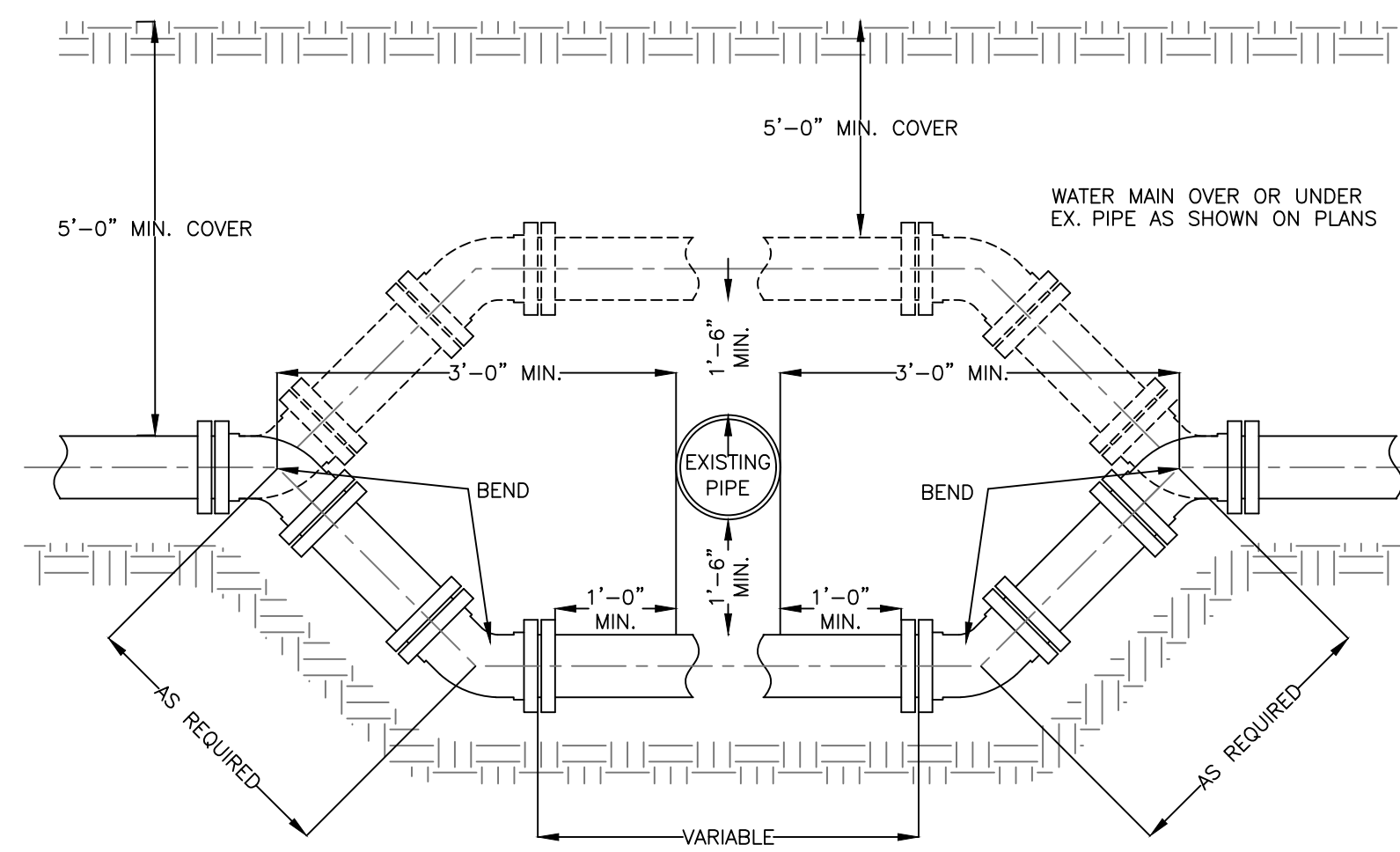


CONCRETE BLOCKING FOR HORIZONTAL BENDS



CONCRETE BLOCKING FOR VERTICAL BENDS
POURED CONCRETE SHALL BE (STIFF) READY-MIXED

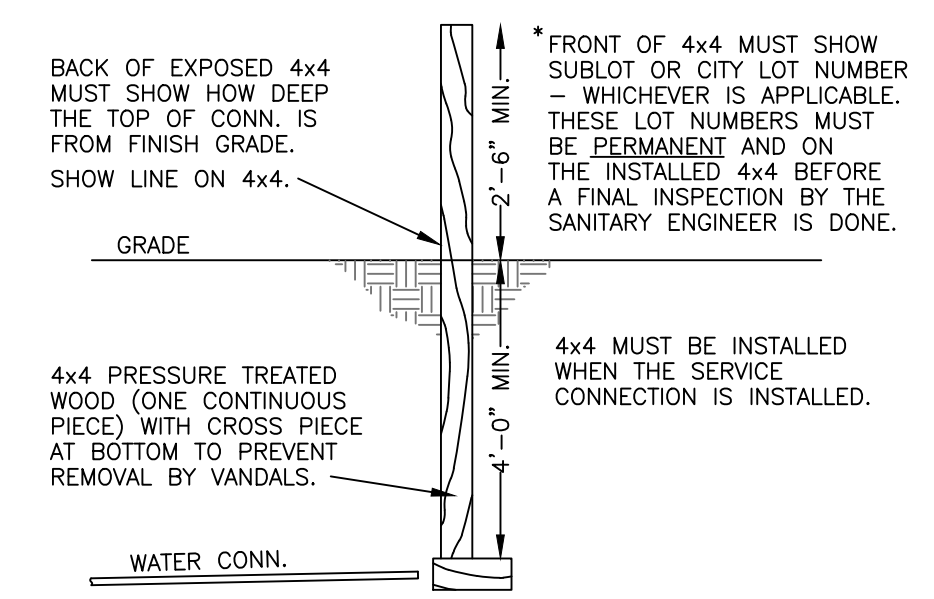


STANDARD OFFSET DETAIL

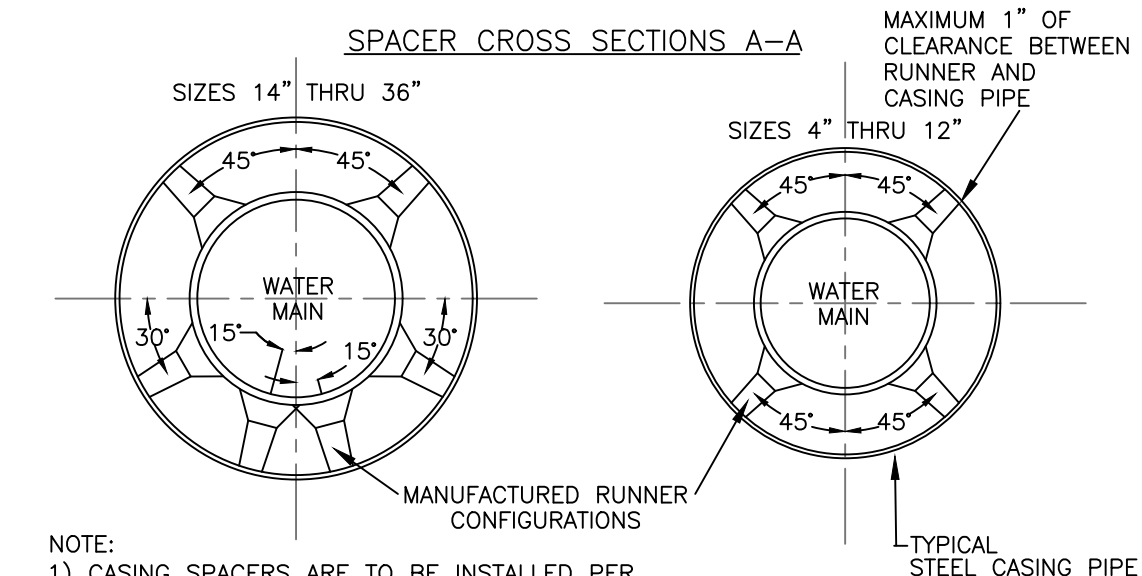
TEES	BRANCH								
	3", 4", 6"		8"		12"		16"		
	L	D	L	D	L	D	L	D	
3", 4", 6"	16"	7"							
8"	14"	8"	18"	12"					
12"	9"	12"	18"	12"	24"	18"			
16"	8"	16"	14"	16"	28"	16"	30"	26"	
> 16"	TO BE DETERMINED IN FIELD BASED ON GROUND CONDITIONS								

BENDS	SIZE OF PIPE	DEGREE OF BEND							
		1 1/4°		22 1/2°		45°		90°	
		L	D	L	D	L	D	L	D
3", 4", 6"	8"	6"	10"	6"	20"	6"	36"	6"	
8"	9"	8"	14"	8"	24"	8"	50"	8"	
12"	14"	12"	22"	12"	30"	15"	60"	15"	
16"	18"	16"	24"	18"	33"	36"	70"	22"	
> 16"	TO BE DETERMINED IN FIELD BASED ON GROUND CONDITIONS								

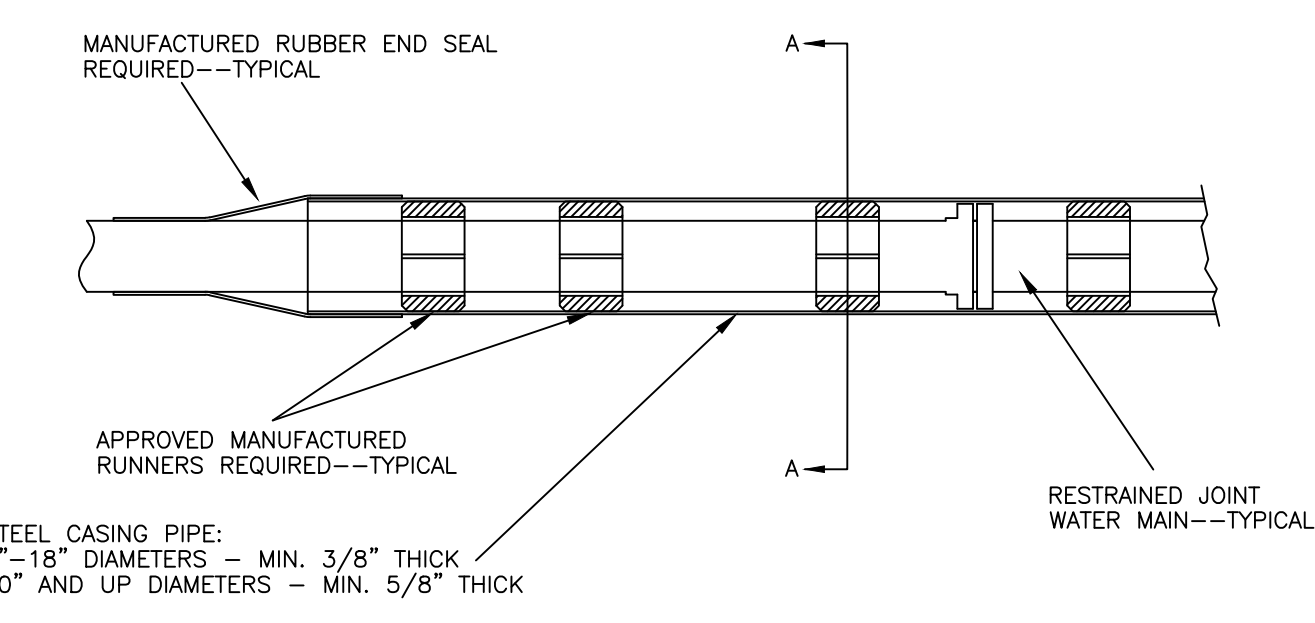
CASING TABLE	
NOMINAL PIPE SIZE	MIN CASING SIZE INSIDE DIAMETER
4"	8"
6"	10"
8"	16"
10"	18"
12"	20"
15"	22"
18"	26"
21"	30"
24"	33"
27"	36"
36"	48"



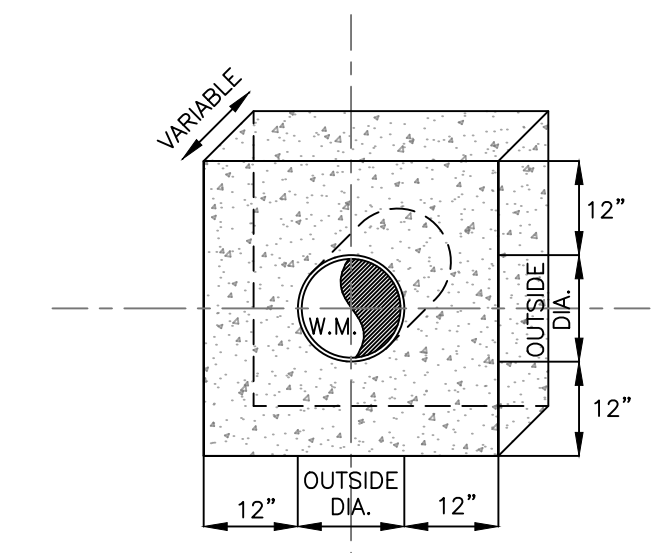
TYPICAL WATER CONNECTION MARKER DETAIL
(TO BE PLACED AT THE END OF EVERY WATER LATERAL)



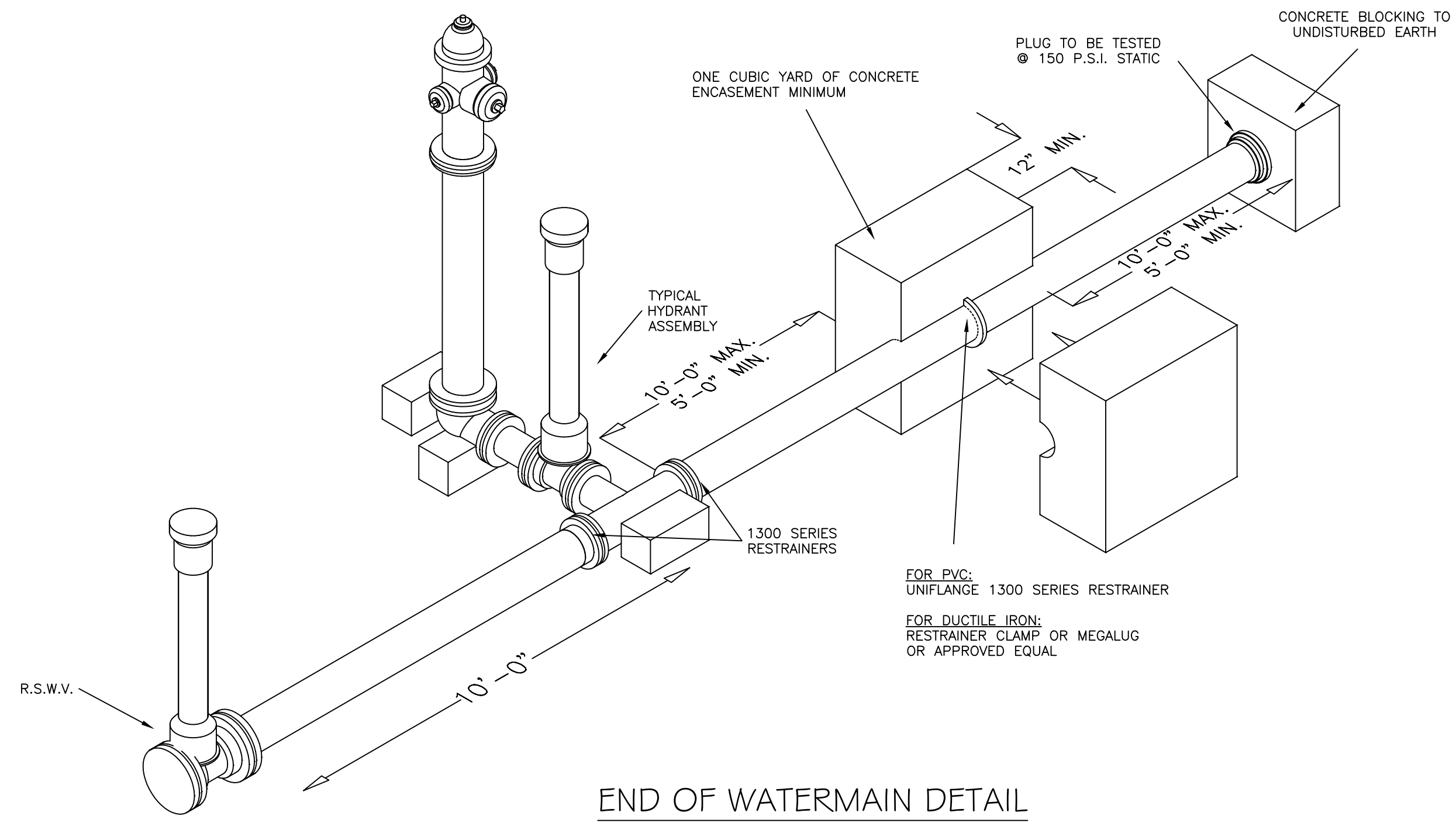
- NOTE:
- 1) CASING SPACERS ARE TO BE INSTALLED PER MANUFACTURER'S SPECIFICATIONS.
 - 2) WATER MAIN TO BE CENTERED INSIDE CASING PIPE.
 - 3) CASING PIPE TO EXTEND A MIN. OF 10' FROM EDGE OF PAVEMENT.



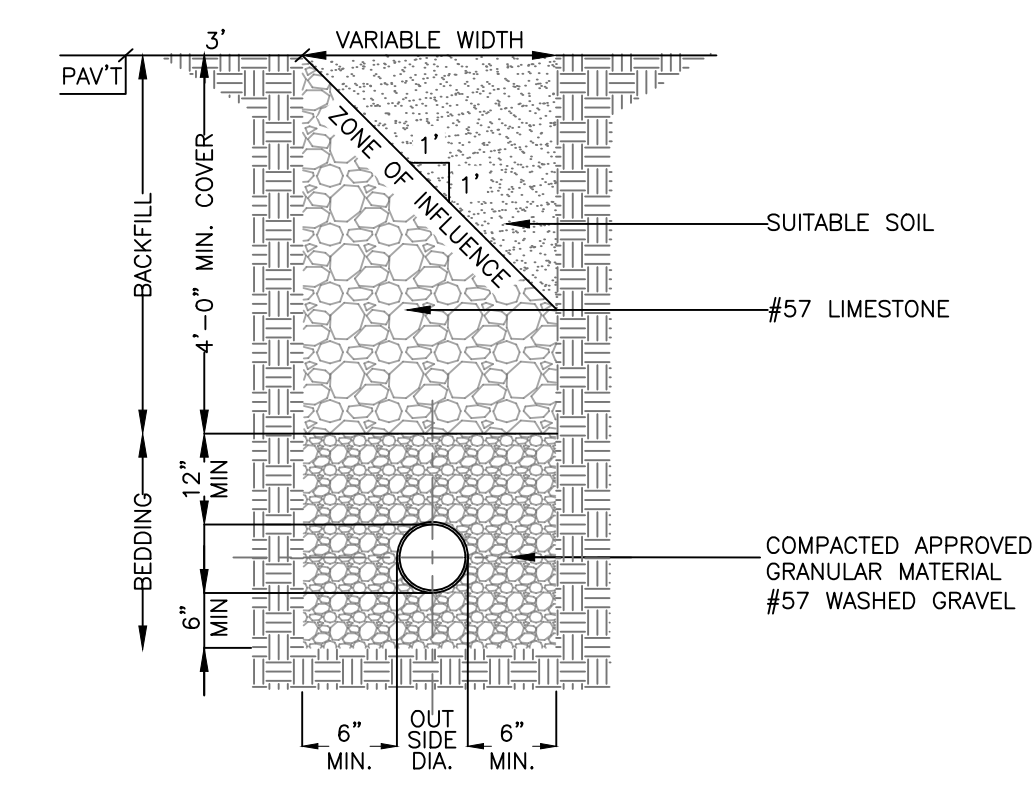
CASING DETAIL



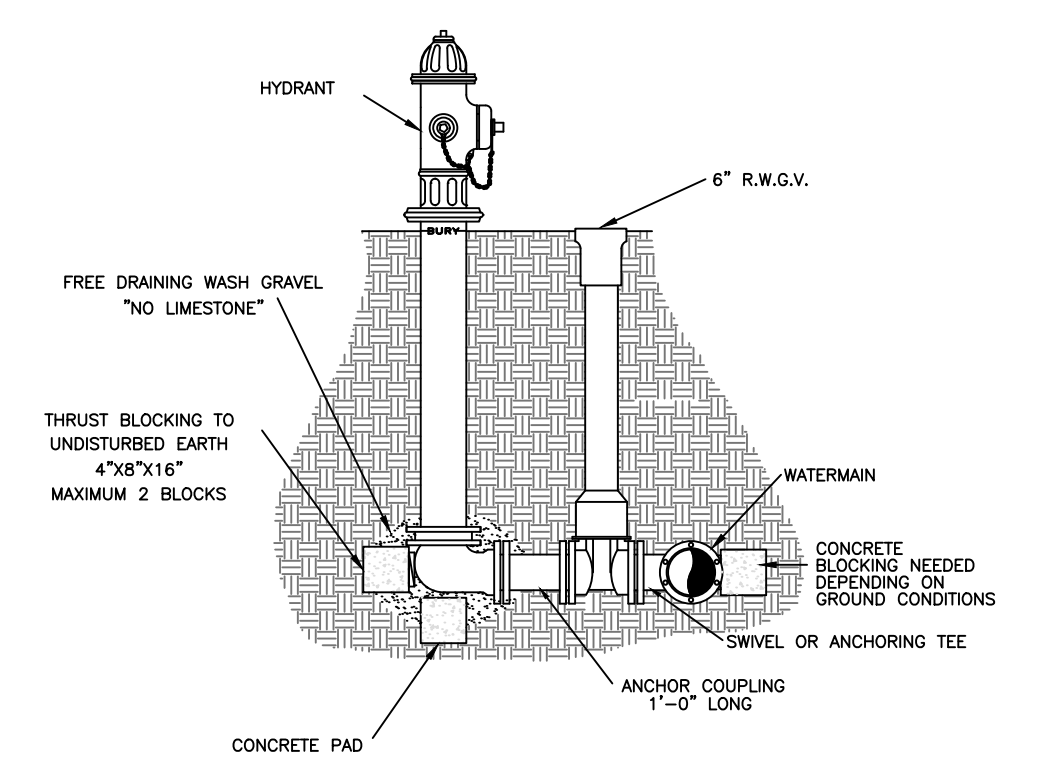
CONCRETE ENCASEMENT DETAIL



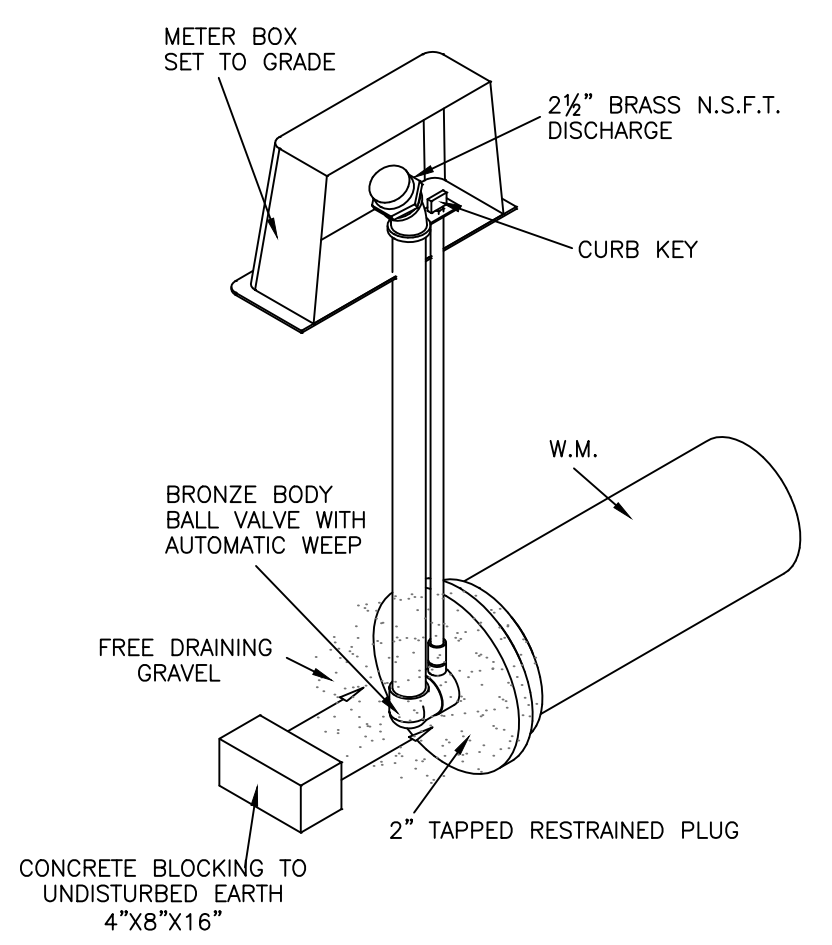
END OF WATERMAIN DETAIL



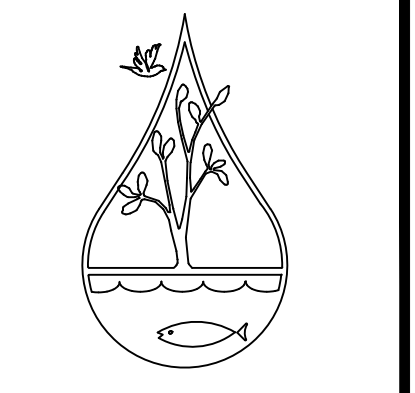
TYPICAL TRENCH SECTION



TYPICAL HYDRANT SECTION



TYPICAL FLUSHING ASSEMBLY



COUNTY: MEDINA	DATE: 5/15/2019				
DRAWN BY: N/A	REVIEWED BY: EJ	REVISOR: EJ	REVISOR: EJ	REVISOR: EJ	REVISOR: EJ
02/2021	03/2022	10/2022	01/2023	01/2024	
	REVISOR: EJ	REVISOR: EJ	REVISOR: EJ	REVISOR: EJ	
	REVISOR: EJ	REVISOR: EJ	REVISOR: EJ	REVISOR: EJ	
	REVISOR: EJ	REVISOR: EJ	REVISOR: EJ	REVISOR: EJ	
	REVISOR: EJ	REVISOR: EJ	REVISOR: EJ	REVISOR: EJ	

- WATER MAIN STANDARDS -
PROJECT TITLE
ROAD NAME

PLAN PREPARED BY:
MEDINA COUNTY
SANITARY ENGINEER
JEREMY SINKO, P.E.
791 WEST SMITH RD.
MEDINA, OHIO 44256
(330) 723-6585

PROJECT NUMBER

SHEET NUMBER
1/1

J:\AUTOCAD\MCSSE GENERAL NOTES AND DETAIL SHEETS\WATER MAIN STANDARDS 2024.DWG