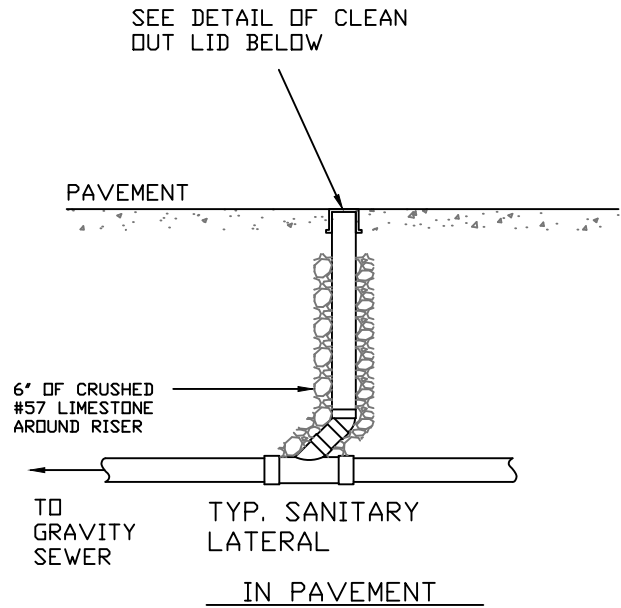
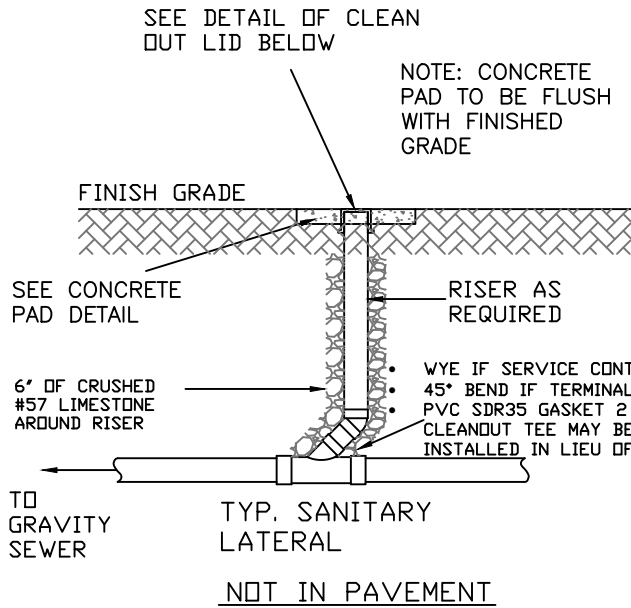
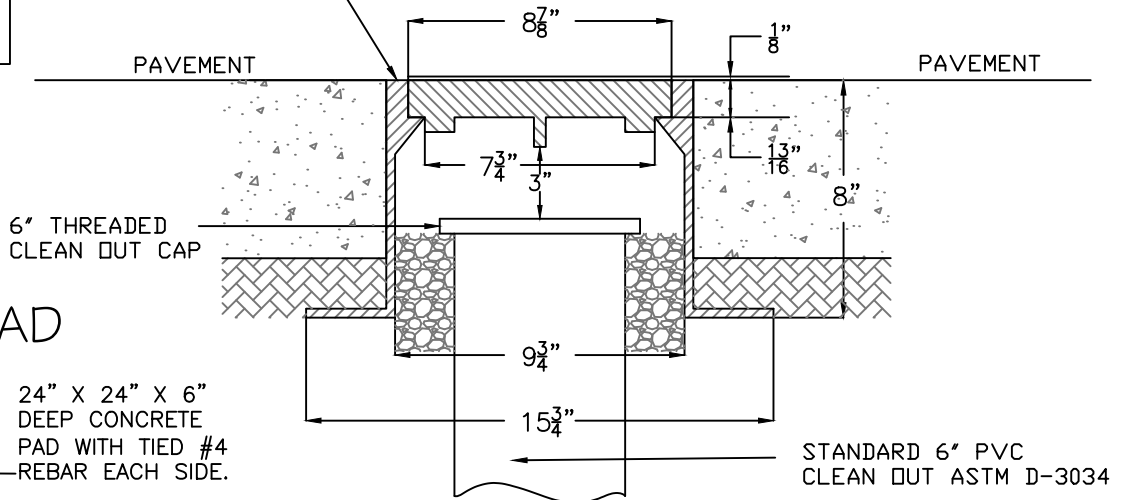


- TRAFFIC / LOAD BEARING - TYPICAL CLEAN OUT DETAIL

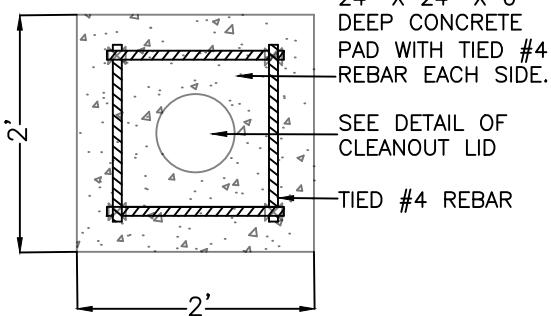


NOTE: THERE MUST BE A 3" GAP FROM THE BOTTOM OF THE STEEL COVER TO THE TOP OF THE PLASTIC CAP

EAST JORDAN HEAVY DUTY LID 1574 OR APPROVED EQUAL

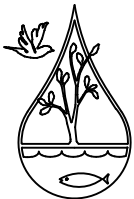


CONCRETE PAD DETAIL



NOTE: MAXIMUM SPACING BETWEEN CLEANOUTS IS 95'

NOTE: STONE SHALL BE CRUSHED #57 LIMESTONE



MEDINA COUNTY
SANITARY ENGINEER
JEREMY SINKO, P.E.
791 WEST SMITH ROAD
MEDINA, OHIO 44256
(330) 723-9585

SCALE = N/A

DRAWN BY: EJ

CHECKED BY: JS

DATE: FEB 2022

**COMMERCIAL
TYPICAL CLEAN OUT
DETAIL**